

PLANNING EXHIBITED DOCUMENTS

Ref. No: DA 0082/2019
 Date advertised: 06/03/2019
 Planning Administration

This document is subject to copyright and is protected by law. In displaying this document on its website the Council grants website users a non-exclusive licence to reproduce the document in their web browser for the sole purpose of viewing the content. The Council reserves all other rights. Documents displayed on the Council's website are intended for public perusal only and should not be reproduced without the consent of the copyright owner.



No.	Amendments	Date	Approved

References

Scale	AS SHOWN
Datum	A.H.D. 1983
Project	88-96 Paterson Street SF
Original Sheet Size	A3
Drawing File	XXXX-DX.dwg
Survey No.	200X-XXX

INFRASTRUCTURE SERVICES			
ASSET MANAGEMENT & DELIVERY		BUILT ENVIRONMENT	
DRAWN / DESIGNED	P. McElwee	DD-MMM-YYYY	DATE
DESIGNED	D. Murray H. Williams S. Miller	DD-MMM-YYYY	DATE
DESIGN VERIFICATION	D. Murray	DD-MMM-YYYY	DATE
ASSET MANAGEMENT	P. Bonney	DD-MMM-YYYY	DATE

DRAWING ISSUE	
DRAFT	
Briefing meeting with Contractor and / or Supervisor recommended prior to construction	Yes <input type="checkbox"/> No <input checked="" type="checkbox"/>

City of LAUNCESTON

This drawing and the information it contains is, and remains the property of the City of Launceston, and may only be used for the purpose of which it was intended.

Any scales shown on this drawing are correct at A1 sheet size only. DO NOT scale a drawing plotted at any other size.

PROPOSED MEMORIAL SITE PLAN

Town Hall St John Street, Launceston Tasmania 7250
 T: 03 6323 3000 Email: contactus@launceston.tas.gov.au

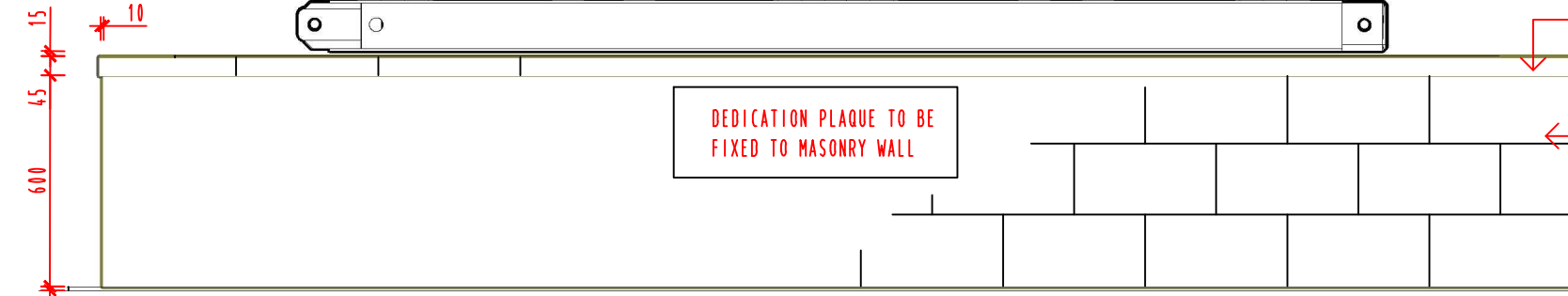
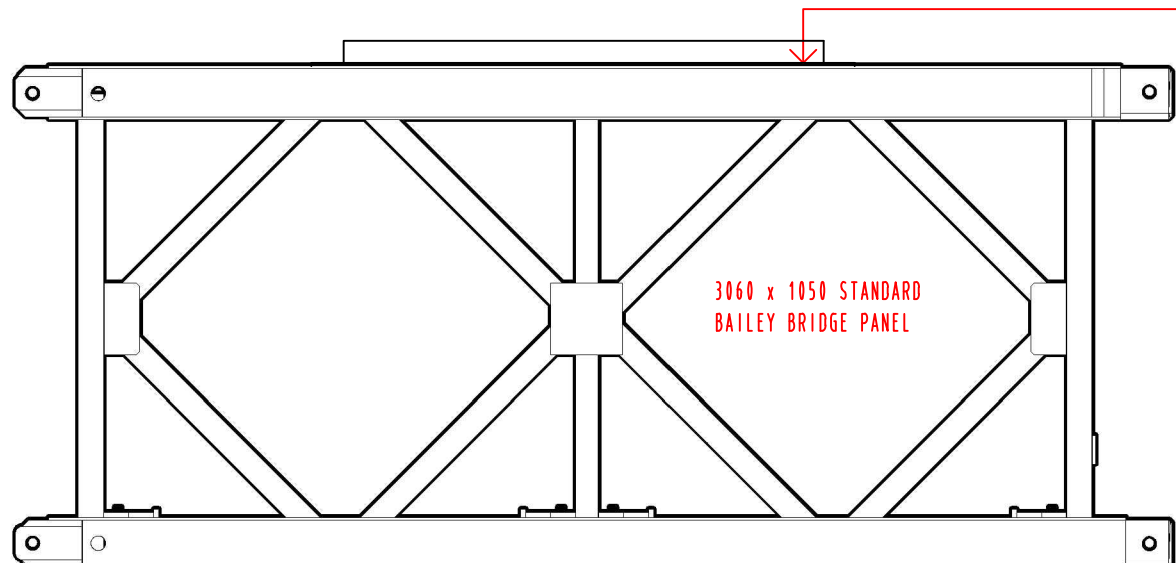
Sheet Number: **A1000** 01 OF 01

PLANNING EXHIBITED DOCUMENTS

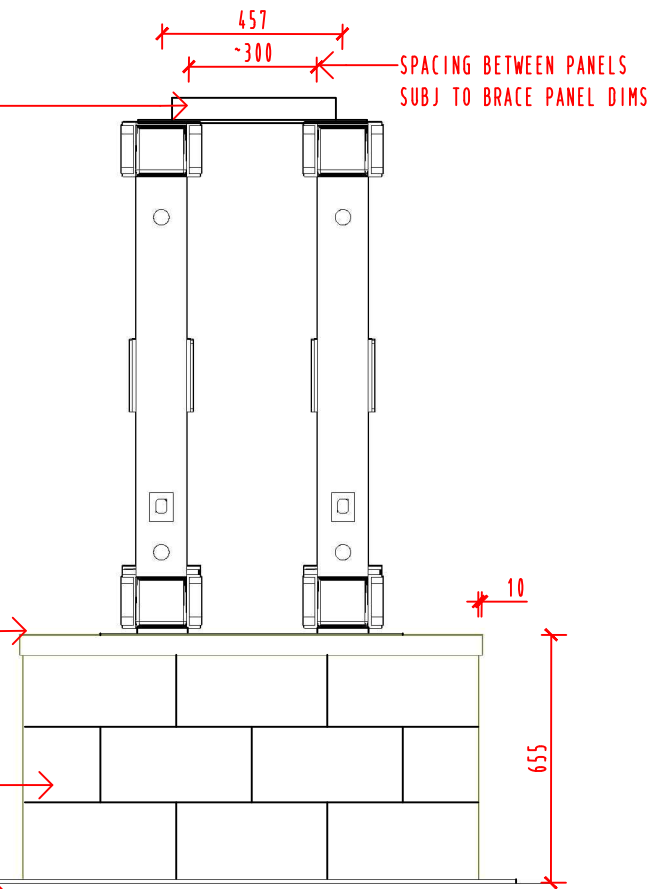
Ref. No: DA 0082/2019
 Date advertised: 06/03/2019

Planning Administration

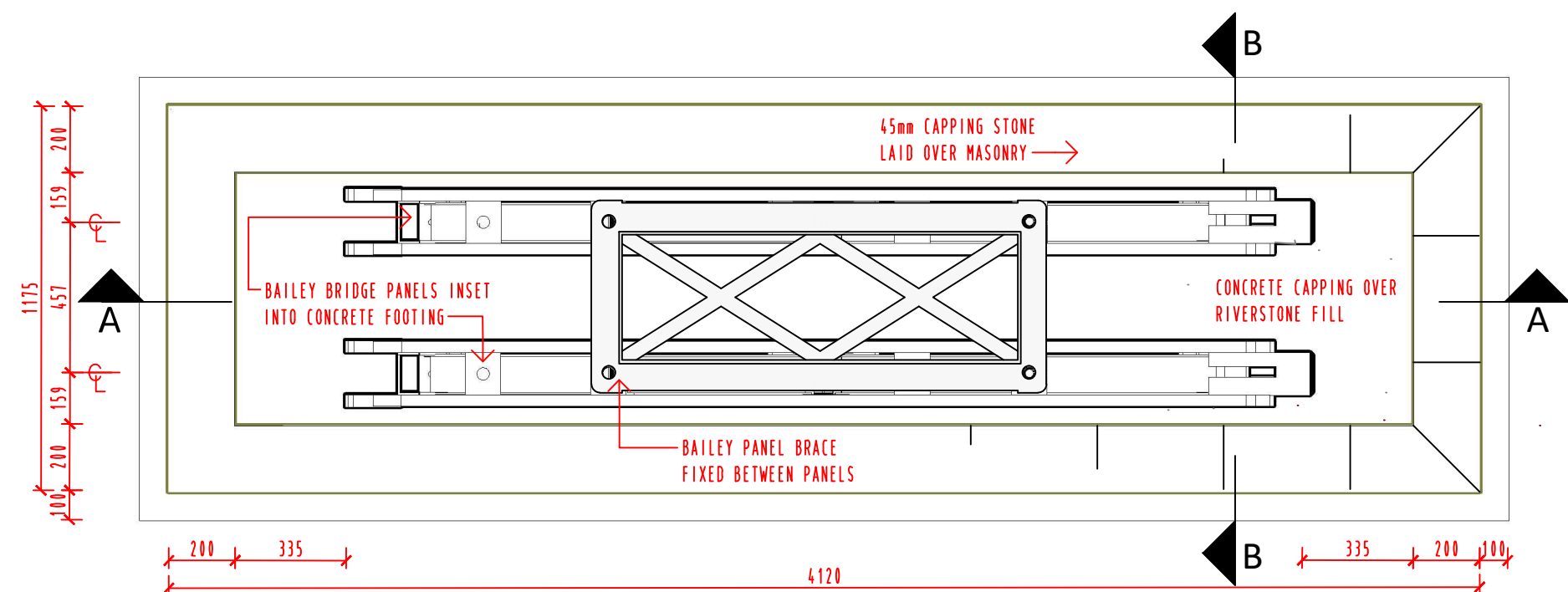
This document is subject to copyright and is protected by law. In displaying this document on its website the Council grants website users a non-exclusive licence to reproduce the document in their web browser for the sole purpose of viewing the content. The Council reserves all other rights. Documents displayed on the Council's website are intended for public perusal only and should not be reproduced without the consent of the copyright owner.



Front Elevation
SCALE 1:20



Side Elevation
SCALE 1:20



Plan
SCALE 1:20

BAILEY PANEL BRACE
FIXED BETWEEN PANELS

SPACING BETWEEN PANELS
SUBJ TO BRACE PANEL DIMS

DEDICATION PLAQUE TO BE
FIXED TO MASONRY WALL

45mm CAPPING STONE
LAID OVER MASONRY
WITH 10mm OVERHANG

400x200 SAND COLORED
CONCRETE BLOCK WALL
PLINTH

CONCRETE STRIP FOOTING
EXTENDED 100mm BEYOND
PLINTH

Amendments:		Review:
Date:	Revision:	BA LAUNCESTON COUNCIL
25-02-19	Added notes & detail.	

- Notes:
1. Use dimensions in preference to scaling.
 2. All dimensions are to be confirmed on site before commencement of works.
 3. Services are to be located (DB10) prior to works commencement.
 4. Drawing to be read in conjunction with drawing Set.
 5. Bailey Panel dimensions must be checked against drawing and plinth adjusted as required.

Project:
RICHARD ATKINSON
KINGS PARK MEMORIAL

Client:
RAE FOUNDATION

Drawing:
PLAN, ELEVATIONS

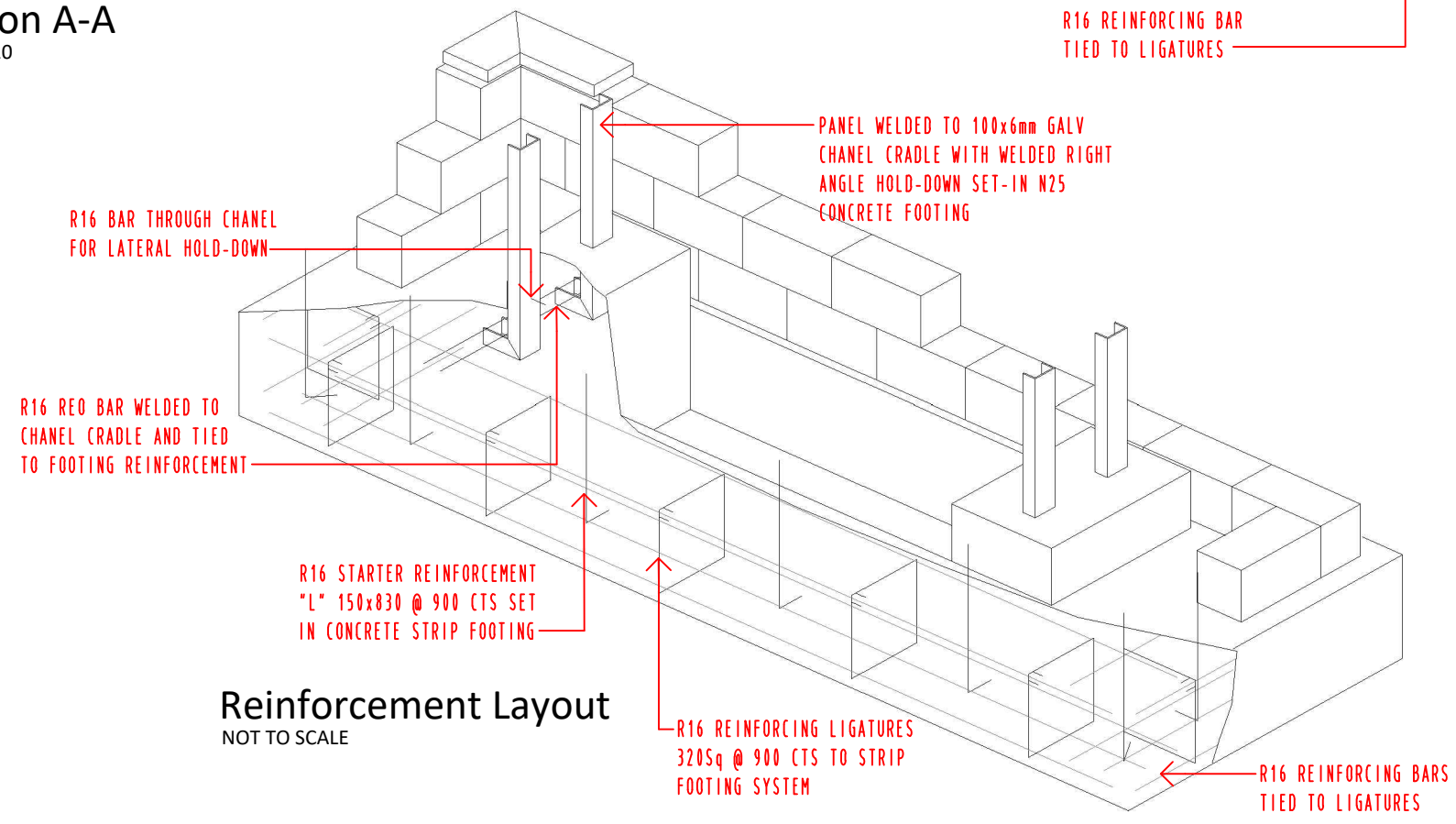
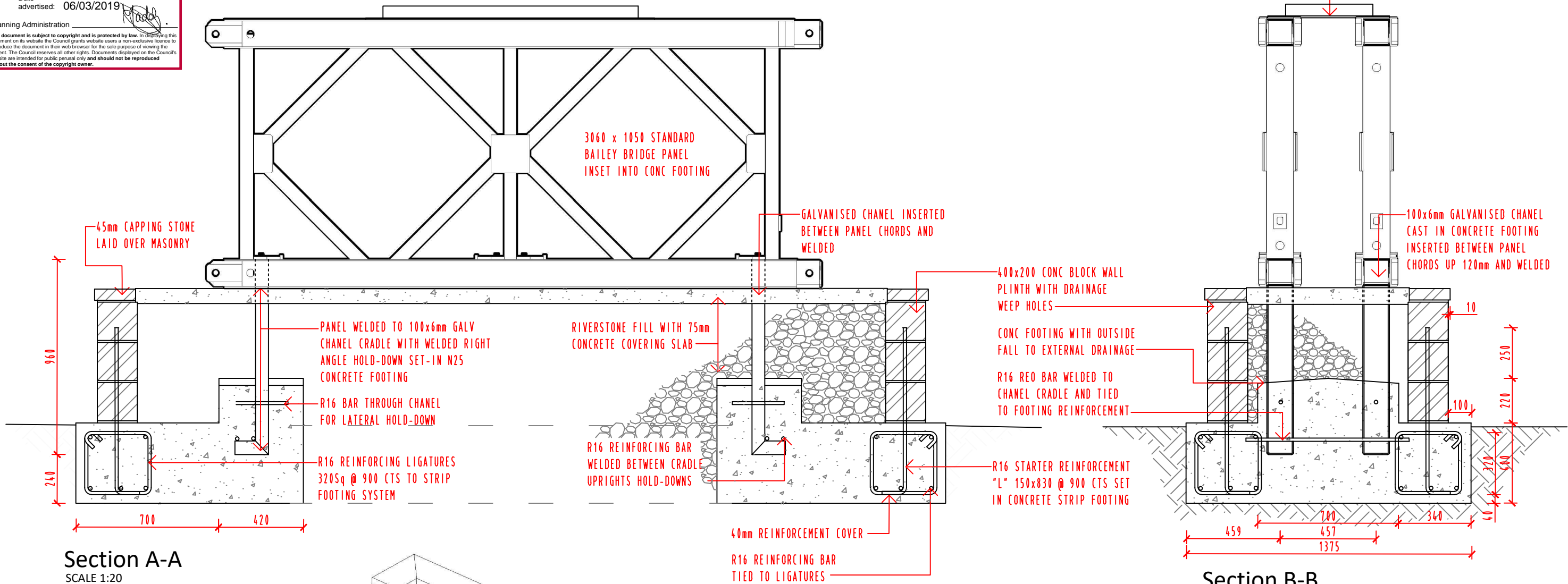
ARCHITECTURAL DESIGN PROJECT MANAGEMENT architecturalweb architecturalweb.com		Drawing No: W A01-PN
Date:	Feb 2019	
Scale:	As Shown	
Sheet No:	1 of 2	
Design/Drawn:	RE	

PLANNING EXHIBITED DOCUMENTS

Ref. No: DA 0082/2019
 Date advertised: 06/03/2019

Planning Administration

This document is subject to copyright and is protected by law. In displaying this document on its website the Council grants website users a non-exclusive licence to reproduce the document in their web browser for the sole purpose of viewing the content. The Council reserves all other rights. Documents displayed on the Council's website are intended for public personal use only and should not be reproduced without the consent of the copyright owner.



Amendments:		Review:	
Date:	Revision:	BA LAUNCESTON COUNCIL	
25-02-19	Added notes & detail.		
Notes:			
1. Use dimensions in preference to scaling.			
2. All dimensions are to be confirmed on site before commencement of works.			
3. Services are to be located (DBYD) prior to works commencement.			
4. Drawing to be read in conjunction with drawing Set.			
5. Bailey Panel dimensions must be checked against drawing and plinth adjusted as required.			
Project:			
RICHARD ATKINSON KINGS PARK MEMORIAL			
Client:			
RAE FOUNDATION			
Drawing:			
SECTIONS			
ARCHITECTURAL DESIGN PROJECT MANAGEMENT architecturalweb architecturalweb.com		Drawing No:	
		W/A02-SN	
Date:	Feb 2019		
Scale:	As Shown		
Sheet No:	2 of 2		
Design/Drawn:	RE		