



Postal Address  
PO Box 63  
Riverside  
Tasmania 7260  
W 8ty.com.au  
E admin@8ty.com.au

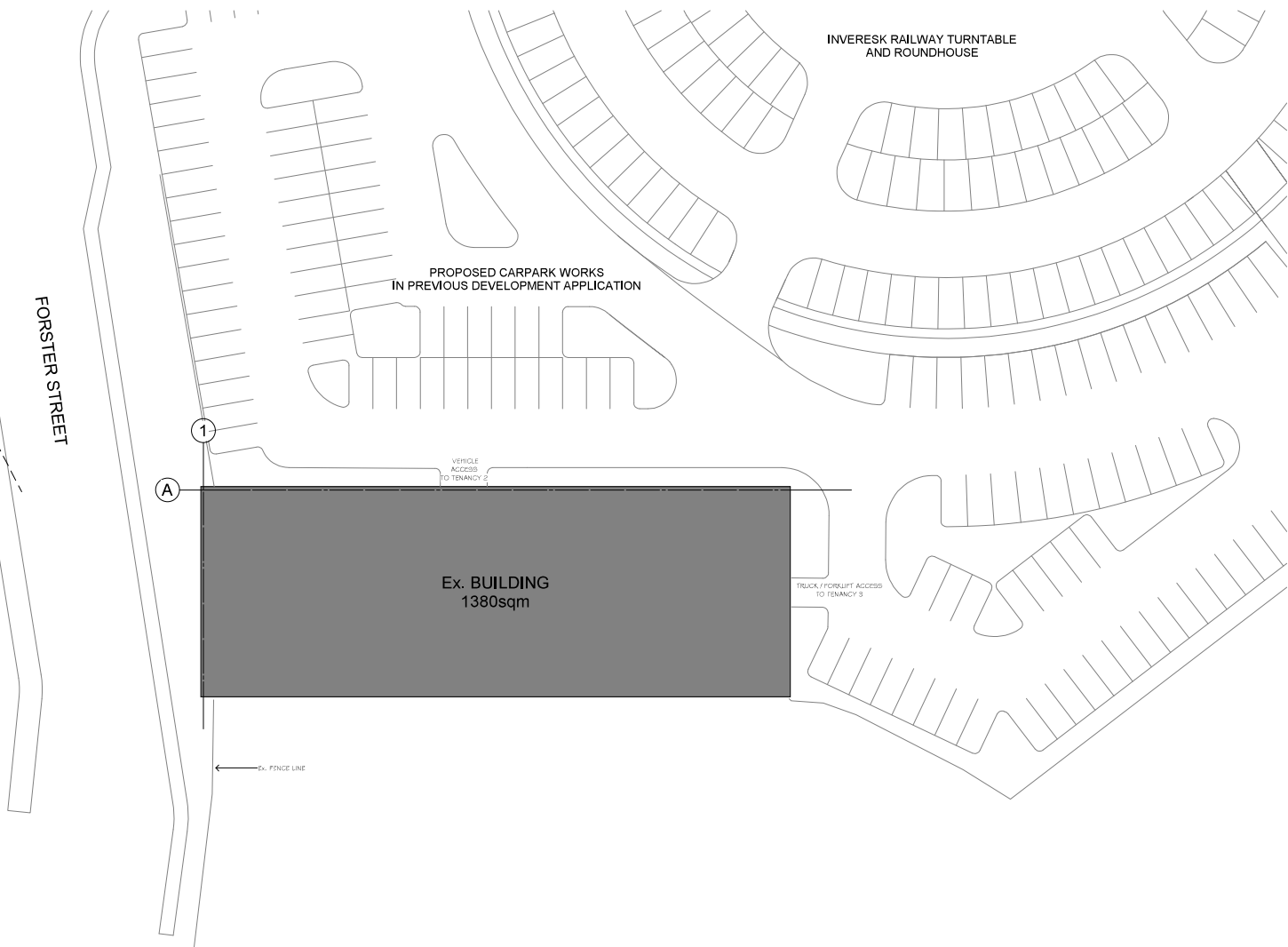
8ty Pty Ltd  
ABN 27 014 909 900  
Architectural  
ASBP No. CC48747  
Structural / Civil  
ASBP No. CC14338

Tamar Suite 103  
The Charcoal  
287 Charles Street  
Launceston Tasmania  
P (03) 6332 3300

57 Beal Street  
Devonport Tasmania  
P (03) 6424 7151



©2018 Certificate Services



**CONTROLLED DOCUMENT**

ISSUE	DATE	ISSUED FOR	REV.
	22.07.20	DEVELOPMENT APPROVAL	-
	14.01.21	CLIENT REVISIONS	A



DIMENSIONS ARE IN MILLIMETRES, DO NOT SCALE. CHECK AND VERIFY ALL DIMENSIONS ON SITE. REFER DISCREPANCIES TO THE SUPERINTENDENT. ALL WORK SHALL BE CARRIED OUT IN ACCORDANCE WITH BUILDING CODE OF AUSTRALIA, APPLICABLE AUSTRALIAN STANDARDS & LOCAL AUTHORITY REQUIREMENTS.

PROJECT: SHED REDEVELOPMENT  
AT: UTAS, INVERESK  
FOR: UNIVERSITY OF TASMANIA

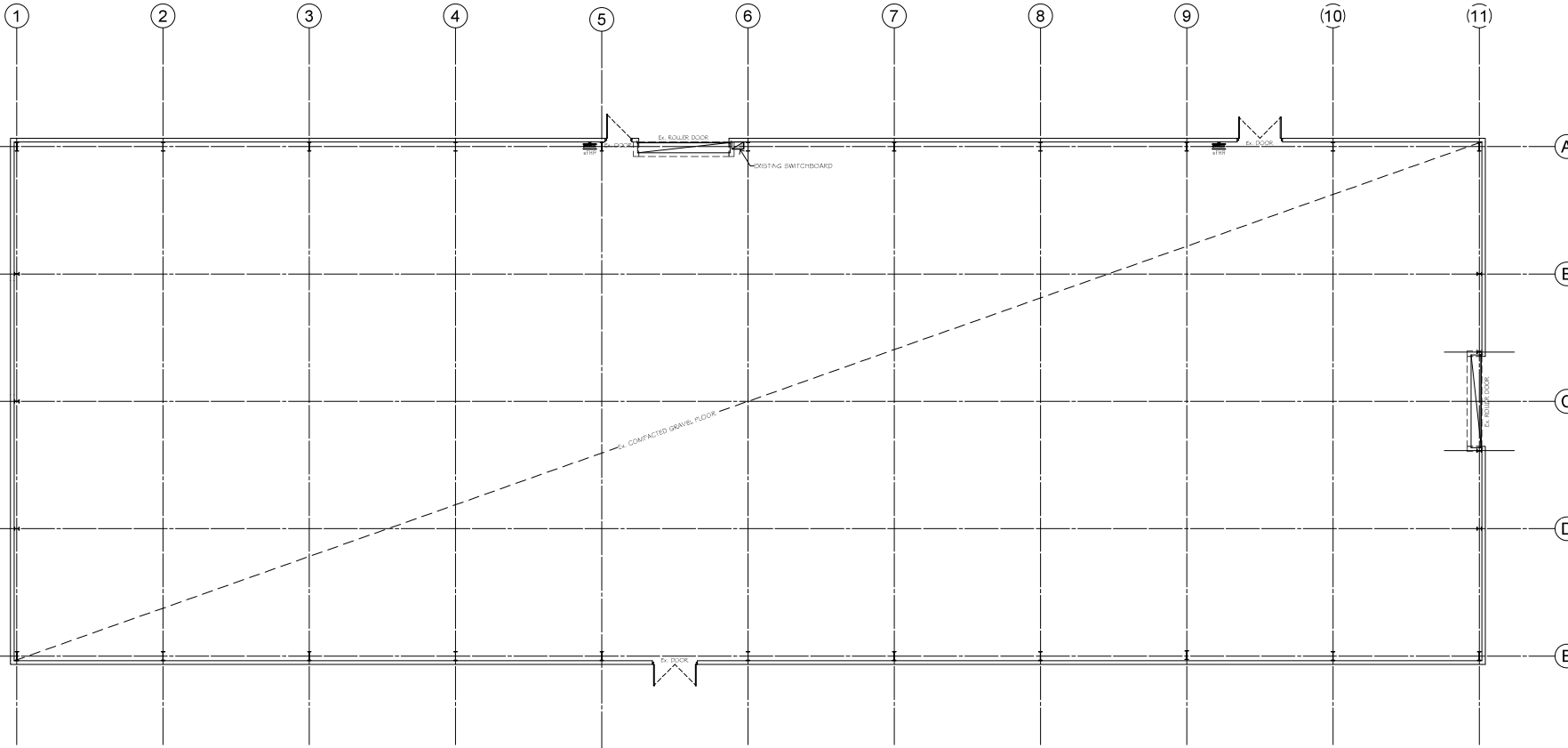
DRAWING: PROPOSED SITE PLAN

DESIGNED: S.T.L. DRAWN: S.T.L. CHECKED: -  
SCALE: 1 : 250 AT A1 SIZE DRAWING SHEET

PROJECT NO. P2039 DRAWING NO. AD01 REV. A

**PROPOSED SITE PLAN**  
SCALE 1 : 250

INVERMAY PARK



A

B

C

D

E

**CONTROLLED DOCUMENT**

ISSUE	DATE	ISSUED FOR	REV.
1	22.07.20	DEVELOPMENT APPROVAL	-



PROJECT NORTH

**EXISTING FLOOR PLAN**  
 SCALE 1 : 100

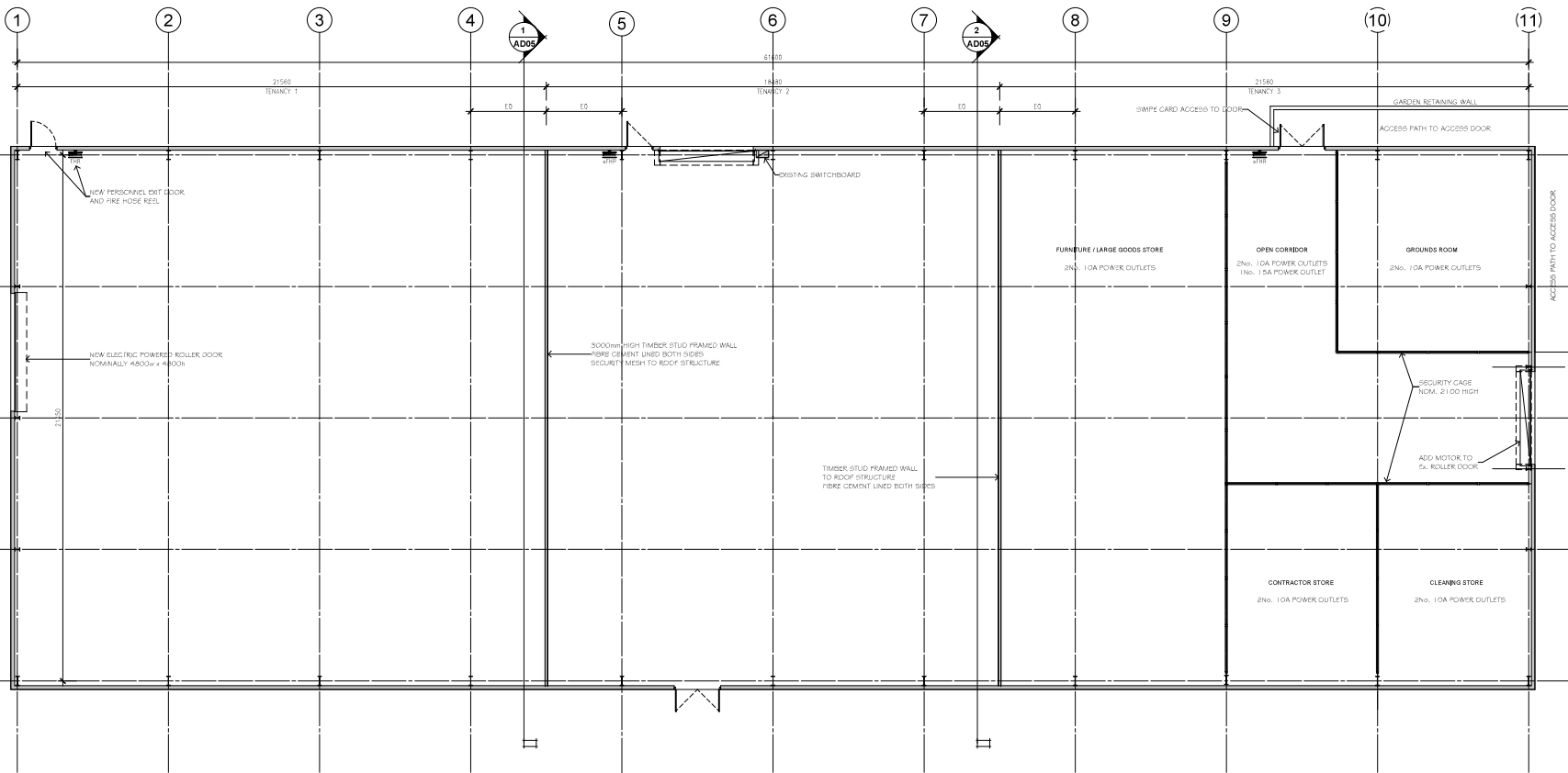
DIMENSIONS ARE IN MILLIMETRES, DO NOT SCALE. CHECK AND VERIFY ALL DIMENSIONS ON SITE. REFER DISCREPANCIES TO THE SUPERINTENDENT. ALL WORK SHALL BE CARRIED OUT IN ACCORDANCE WITH BUILDING CODE OF AUSTRALIA, APPLICABLE AUSTRALIAN STANDARDS & LOCAL AUTHORITY REQUIREMENTS.

PROJECT: SHED REDEVELOPMENT  
 AT: UTAS, INVERESK  
 FOR: UNIVERSITY OF TASMANIA

DRAWING: EXISTING FLOOR PLAN

DESIGNED: Designer DRAWN: Author CHECKED: Checker  
 SCALES: 1 : 100 AT A1 SIZE DRAWING SHEET

PROJECT NO. P2039 DRAWING NO. AD02 REV. -



## PLANNING DOCUMENT

ISSUE	DATE	ISSUED FOR	REV.
1	22.07.20	DEVELOPMENT APPROVAL	-

A

B

C

D

E



PROJECT NORTH

**PROPOSED FLOOR PLAN**  
SCALE 1 : 100

DIMENSIONS ARE IN MILLIMETRES, DO NOT SCALE. CHECK AND VERIFY ALL DIMENSIONS ON SITE. REFER DISCREPANCIES TO THE SUPERINTENDENT. ALL WORK SHALL BE CARRIED OUT IN ACCORDANCE WITH BUILDING CODE OF AUSTRALIA, APPLICABLE AUSTRALIAN STANDARDS & LOCAL AUTHORITY REQUIREMENTS.

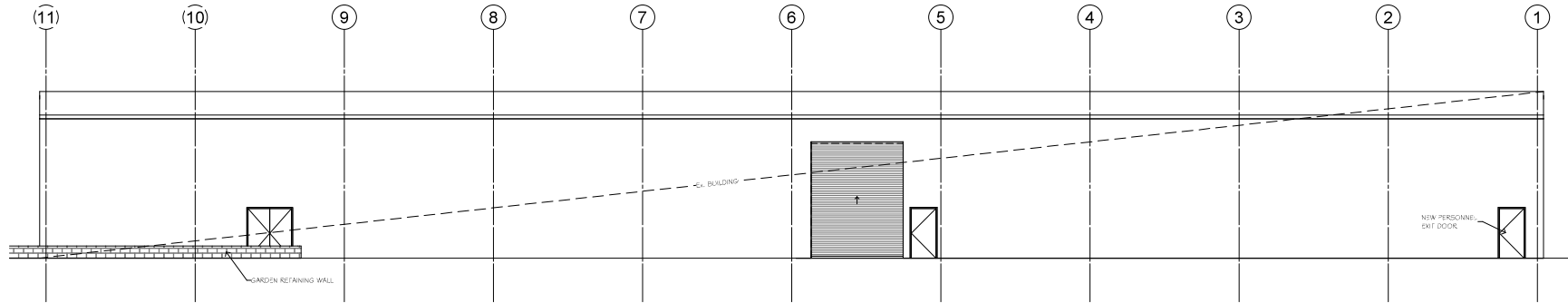
PROJECT: SHED REDEVELOPMENT  
AT: UTAS, INVERESK  
FOR: UNIVERSITY OF TASMANIA

DRAWING: PROPOSED FLOOR PLAN

DESIGNED: S.T.L. DRAWN: S.T.L. CHECKED: -

SCALES: 1 : 100 AT A1 SIZE DRAWING SHEET

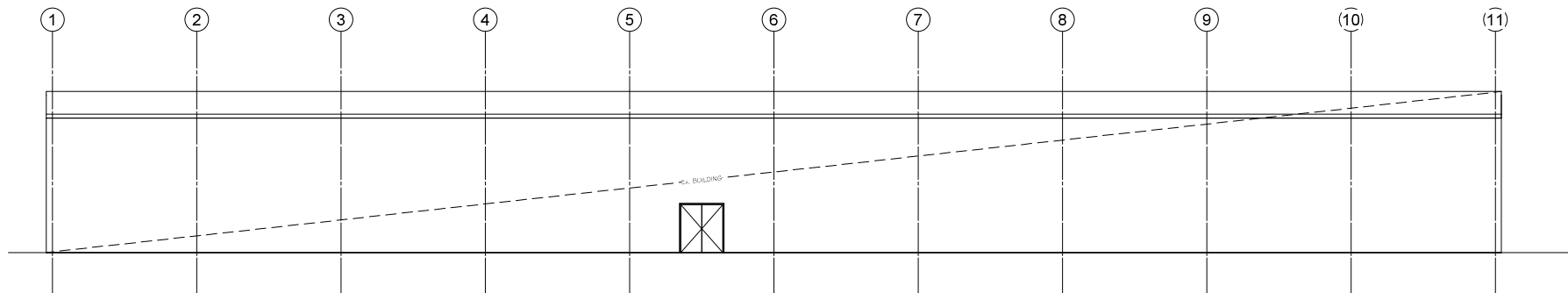
PROJECT NO. P2039 DRAWING NO. AD03 REV. -



**NORTH ELEVATION**  
SCALE 1 : 100

**PLANNING DOCUMENT**

ISSUE	DATE	ISSUED FOR	REV.
	22.07.20	DEVELOPMENT APPROVAL	-



**SOUTH ELEVATION**  
SCALE 1 : 100



PROJECT NORTH

DIMENSIONS ARE IN MILLIMETRES, DO NOT SCALE. CHECK AND VERIFY ALL DIMENSIONS ON SITE. REFER DISCREPANCIES TO THE SUPERINTENDENT. ALL WORK SHALL BE CARRIED OUT IN ACCORDANCE WITH BUILDING CODE OF AUSTRALIA, APPLICABLE AUSTRALIAN STANDARDS & LOCAL AUTHORITY REQUIREMENTS.

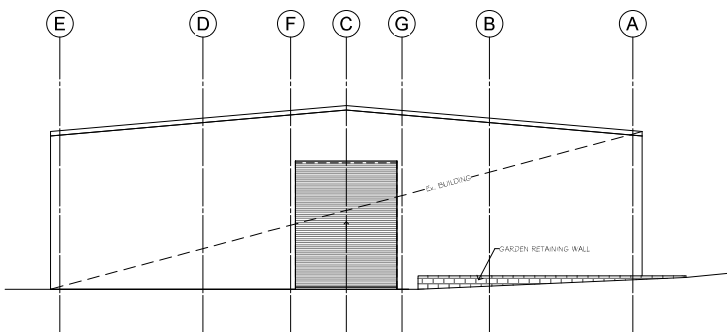
PROJECT: SHED REDEVELOPMENT  
AT: UTAS, INVERESK  
FOR: UNIVERSITY OF TASMANIA

DRAWING: PROPOSED ELEVATIONS

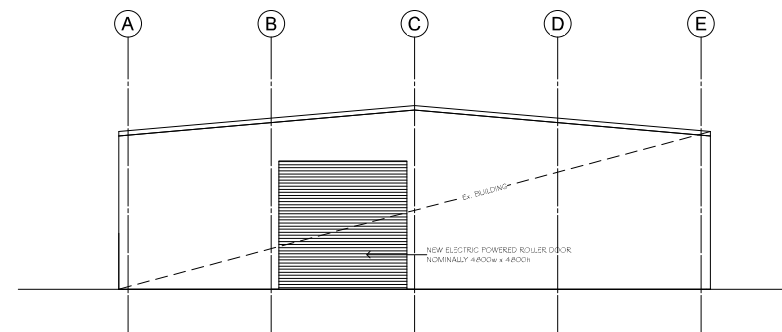
DESIGNED: S.T.L. DRAWN: S.T.L. CHECKED: -

SCALE: 1 : 100 AT A1 SIZE DRAWING SHEET

PROJECT NO. P2039 DRAWING NO. AD04 REV. -



**EAST ELEVATION**  
SCALE 1 : 100



**WEST ELEVATION**  
SCALE 1 : 100

Postal Address  
PO Box 63  
Riverside  
Tasmania 7260  
W 6ty.com.au  
E admin@6ty.com.au

6ty Pty Ltd  
ABN 27 014 909 900

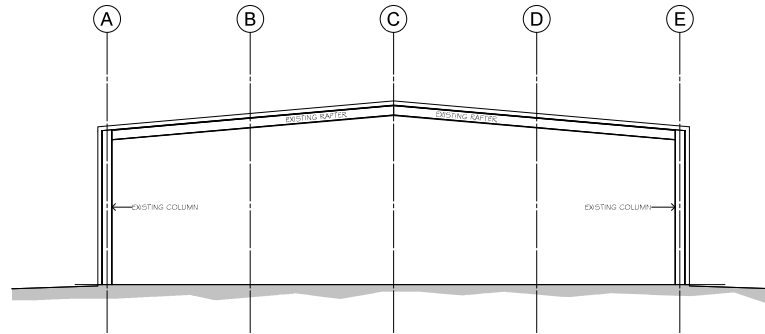
Architectural  
ABP No. CC48747  
Structural / Civil  
ABP No. CC14338

Tamar Suite 103  
The Charles  
287 Charles Street  
Launceston Tasmania  
P (03) 6332 3300

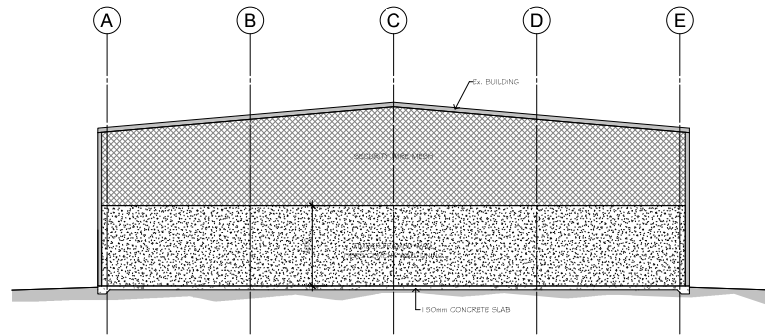


57 Beal Street  
Devonport Tasmania  
P (03) 6424 7151

QMS Certificate Services

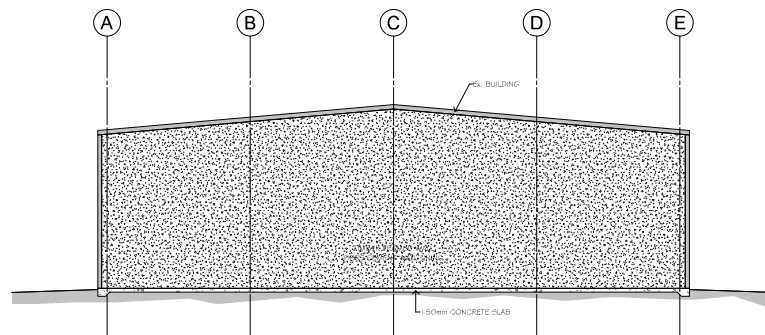


**EXISTING SECTION**  
SCALE 1 : 100



**SECTION 1**  
SCALE 1 : 100

1  
AD03



**SECTION 2**  
SCALE 1 : 100

2  
AD03

**PLANNING DOCUMENT**

ISSUE	DATE	ISSUED FOR	REV.
	22.07.20	DEVELOPMENT APPROVAL	-

DIMENSIONS ARE IN MILLIMETRES, DO NOT SCALE. CHECK AND VERIFY ALL DIMENSIONS ON SITE. REFER DISCREPANCIES TO THE SUPERINTENDENT. ALL WORK SHALL BE CARRIED OUT IN ACCORDANCE WITH BUILDING CODE OF AUSTRALIA, APPLICABLE AUSTRALIAN STANDARDS & LOCAL AUTHORITY REQUIREMENTS.

PROJECT: SHED REDEVELOPMENT  
AT: UTAS, INVERESK  
FOR: UNIVERSITY OF TASMANIA

DRAWING: EXISTING & PROPOSED SECTIONS

DESIGNED: Designer DRAWN: Author CHECKED: Checker

SCALES: 1 : 100 AT A1 SIZE DRAWING SHEET

PROJECT NO. P2039 DRAWING NO. AD05 REV. -